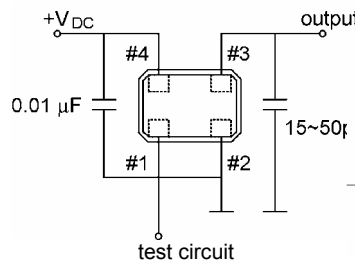
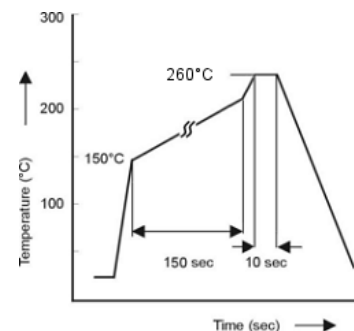
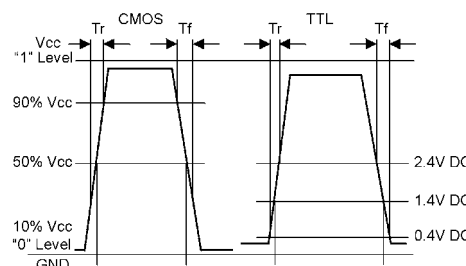
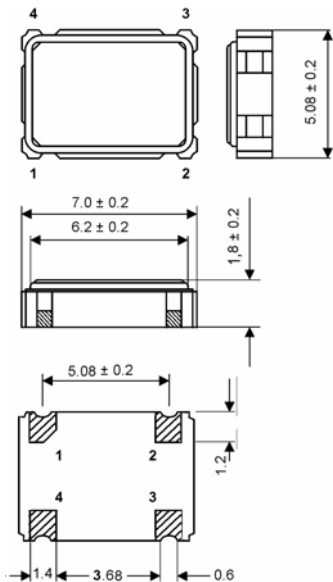


# Clock Oscillator

SMD-version

5V

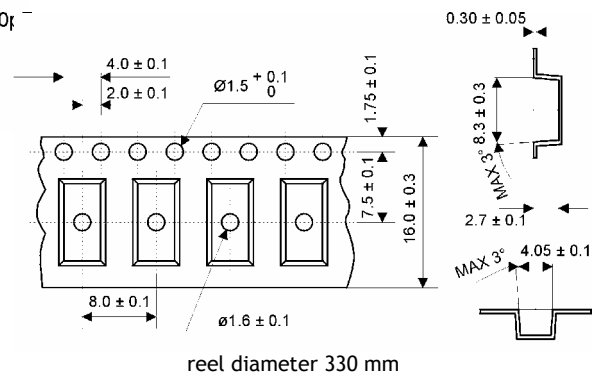
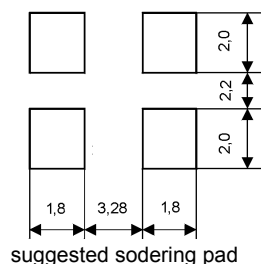
model	KXO-97
frequency range	1,0 ~ 50,0 MHz
frequency stability at -20° ~ +70°C at -40° ~ +85°C	± 50 ppm ± 100 ppm
operating temperature	standard -20° ~ +70°C available -40° ~ +85°C (=KXO-97T)
storage temperature	-40° ~ +85°C
symmetry	50% ± 10% at 1,4V DC level or ½ Vcc level
rise & fall time max.	TTL: 6 ns / CMOS: 10 ns
"0" level max.	+ 0,4V (TTL) + 0,5V (CMOS)
"1" level min.	+2,4 (TTL) Vcc -0,5V (CMOS)
input voltage Vcc	+ 5V DC ± 10%
Input current	15 ~ 40 mA
output load	1,0 ~ 33,0 MHz 10 TTL gates 50 pF 33,1 ~ 50,0 MHz 5 TTL gates 30 pF
start up time max.	10 ms
tristate funcion	yes
disable delay time	100 ns max.
enable delay time	4 ms max.
random jitter	7ps max.
peak to peak jitter	40ps max.
RoHS	since production start
contents of reel	1000 pcs.
part no.	12.94200 ~ 12.94599



soldering condition

PIN	CONNECTION
1	"L" (OV) "H" or OPEN
2	GND
3	Z OUTPUT
4	Vcc

Z: high impedance



reel diameter 330 mm